

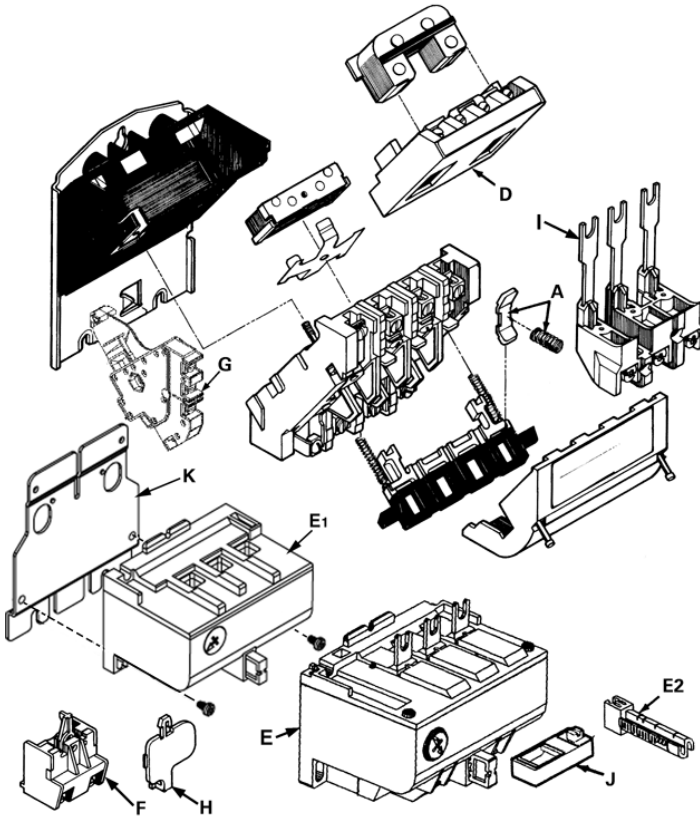
Replacement Parts

August, 2004
Supersedes Issue of
May, 2002

IMPORTANT
THESE INSTRUCTIONS DO NOT PURPORT TO COVER ALL DETAILS OR VARIATIONS IN EQUIPMENT, NOR TO PROVIDE FOR EVERY POSSIBLE CONTINGENCY TO BE MET IN CONNECTION WITH INSTALLATION, OPERATION OR MAINTENANCE. SHOULD FURTHER INFORMATION BE DESIRED OR SHOULD PARTICULAR PROBLEMS ARISE WHICH ARE NOT COVERED SUFFICIENTLY FOR THE PURCHASER'S PURPOSES, THE MATTER SHOULD BE REFERRED TO THE LOCAL SIEMENS SALES OFFICE.
THE CONTENTS OF THIS INSTRUCTION MANUAL SHALL NOT BECOME PART OF OR MODIFY ANY PRIOR OR EXISTING AGREEMENT, COMMITMENT OR RELATIONSHIP. THE SALES CONTRACT CONTAINS THE ENTIRE OBLIGATION OF SIEMENS. THE WARRANTY CONTAINED IN THE CONTRACT BETWEEN THE PARTIES IS THE SOLE WARRANTY OF SIEMENS. ANY STATEMENTS CONTAINED HEREIN DO NOT CREATE NEW WARRANTIES OR MODIFY THE EXISTING WARRANTY.

14-GES

Class 14 ESP100
Starters & Contactors
Sizes 0, 1 & 1 3/4
14CS, 14DS, 14ES



WARNING
Hazardous voltage.
Can cause death or serious injury.
Disconnect main power and control voltages before installation or maintenance on this equipment.

Item	Part Description	Part Number
A	Contacts & Spring, One Complete Pole Power Pole	Size 0 75CF14
		Size 1 75DF14
		Size 1 3/4 75EP14
		Interlock Pole (Includes spring retainer) All sizes 75AF14
D	Coil	60 Hertz 120v 75D73070F
		110v 75D73070A
		110-120v/220-240v 110v/190-220v 75D73070A
		220-240v/440-480v 190-220/380-440v 75D73070C
		550-600v 550v 75D73070E
For other voltages specify the number stamped on the coil.		

Item	Part Description	Part Number		
E	Solid State Overload Relay - 3 Phase (with terminals)	Size Amps Class 10 Class 20 Class 30		
		0, 1 0.25-1 48ASA3M10 48ASA3M20 48ASA3M30		
		0, 1 0.75-3 48ASB3M10 48ASB3M20 48ASB3M30		
		0, 1 2.5-10 48ASD3M10 48ASD3M20 48ASD3M30		
		Overload Relays - Single Phase (with terminals)		
		0, 1 0.75-3 48ASB1M10 48ASB1M20 48ASB1M30		
		0, 1 2.5-10 48ASD1M10 48ASD1M20 48ASD1M30		
		0, 1 5.0-16 48ASE1M10 48ASE1M20 48ASE1M30		
		E ₁	Overload Relays - 3 Phase (with windows)	0, 1 9-18 48ASE3M10 48ASE3M20 48ASE3M30
				1, 1 3/4 13-27 48ASF3M10 48ASF3M20 48ASF3M30
1 3/4 20-40 48ASG3M10 48ASG3M20 48ASG3M30				
E ₂ Reset Extender (for all overload relays) 49ASRE				
F	Auxiliary Contact Overload Kit -	NO 49ASNO		
		NC 49ASNC		
G	Auxiliary Contact	NO 49AB10		
		NC 49AB01		
H	Tamper Resistant Cover (Qty. 10)	(for E ₁ only) 49ASTC		
I	Lug Extender	(for E ₁ only) 49ASLE		
J	Dust Seal	49ASDS		
K	Mounting Plate with (2) Mounting Screws	49ASMP1		

NOTE: When ordering replacement parts, give catalog number of control, and part name and number.

(For Engineering Reference Only - Rev. J)