



TELEPHONE ENTRY CELLULAR CONNECTION



A sustainable wireless solution for connecting managers and users to access control systems

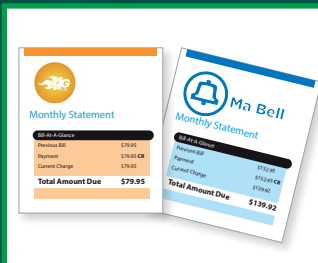
- Voice and data programming over a cellular connection. Program from the DKS Cloud (requires DKS connection service subscription) with your laptop or tablet or from your dedicated PC using the Desktop Account Manager software (free download at doorking.com/software).
- Easy setup by activating AT&T 4G LTE cellular service
- Easy to install - no trenching, no wiring
- Turn remote locations into serviceable sites
- Backwards compatible with older DKS Telephone Entry systems
- Cell line can be split for guard tower / dual entry



Wide Coverage

Once installed, the 1800 Series Entry Systems use a 4G LTE* cellular connection for voice communication, instead of the traditional copper phone line.

*Where available in the United States



Saves Money

The monthly fee of this upgraded, sustainable Cellular Connection is typically less than the cost of a business telephone line.



Voice and Data Connection

Provides voice and PC or Cloud programming for 1830 Series and Access Plus systems over the cellular connection.

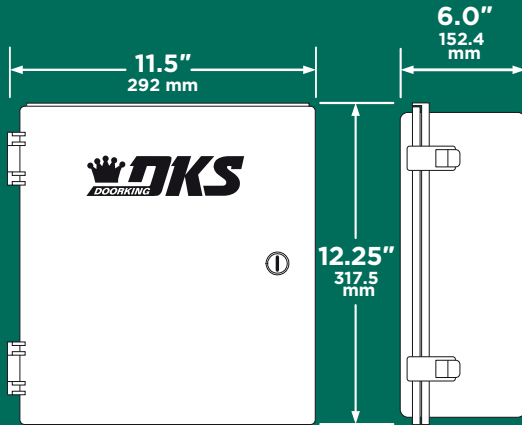


The Versatile Solution

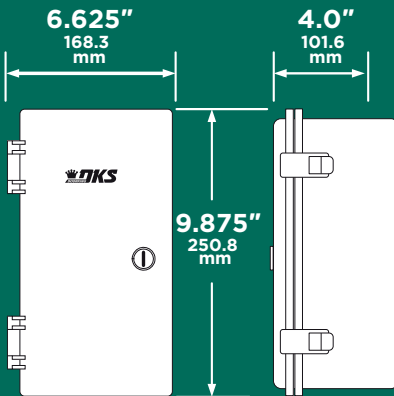
Choose a cellular connection for access devices in remote locations, or install a Retrofit Cellular Kit to upgrade entry systems from an old POTS connection.



TELEPHONE ENTRY CELLULAR CONNECTION



**Voice + Data
1800-080/
1800-081**



**Voice Only
1801-080**

MODEL	1800-080	1800-081	1801-080
ENTRY SYSTEMS	up to 2 1830 series systems	up to 2 Access Plus systems	up to 2 1800 series systems
AT&T 4G LTE	Yes	Yes	Yes
CELLULAR SERVICE	Voice & Data	Voice & Data	Voice only
FOR USE WITH DKS ENTRY SYSTEMS	1833, 1834, 1835, 1837, 1838	1802AP, 1808AP, 1810AP, 1812AP, 1838AP	1802, 1803, 1808, 1810, 1812
POWER	16 VAC input	16 VAC input	16 VAC input

TECHNICAL FEATURES

VOICE & DATA (PROGRAMMING)

Models 1800-080 and 1800-081 are a fully capable cellular interface that provides both voice communication and programming via the AT&T 4G-LTE Cellular network.

DKS Cellular service will “push” the programming data directly from the browser based DKS Cloud Account Manager (or from a dedicated computer through the desktop Remote Account Manager software) to the entry system via the cellular network.

Use the 1800-080 with the following DoorKing entry systems: 1833, 1834, 1835, 1837, 1838.

Use the 1800-081 with the following DoorKing entry systems: 1802AP, 1808AP, 1810AP, 1812AP, 1838AP

VOICE ONLY

Model 1801-080 is a voice only cellular device and is designed to operate on non-computer programmable systems.

Voice communication only, replaces obsolete and expensive POTS lines.

Programming or data transfer is not possible with this voice only device (modem to modem communication is not possible over a cellular network).

Use the 1801-080 with the following DoorKing entry systems: 1802, 1803, 1808, 1810, 1812.

AT&T 4G LTE NETWORK

Both cellular models operate on the AT&T 4G-LTE cellular network (where available).

A monthly subscription fee applies, just like your cell phone. DKS Cellular service provides very competitive monthly rates for your cellular service.

DKS Cellular service is available in all states including Alaska and Hawaii. It is also available in Puerto Rico, U.S. Territories, Canada and Mexico.

DKS Cellular service is not available in other countries.

Check the doorking website for a link to find AT&T coverage at your location: doorking.com/cellular

ELECTRICAL

16 VAC input power (transformer provided).

MISCELLANEOUS

Environmental: 10°F to 145°F (-12°C to 62°C)

SHIPPING WEIGHT

Voice + Data (1800-080, 1800-081) approximately 10 Lbs (4.5 kg)

Voice only (1801-080) approximately 8 Lbs (3.63 kg)



FCC (US) DUF6VT-12874-OT-T
DOC (CAN) 1736 4528 A

AT&T, the AT&T logo and all other AT&T marks contained herein are trademarks of AT&T Intellectual Property and/or AT&T affiliated companies.

DoorKing® Inc.

Access Control Solutions since 1948



120 S. Glasgow Avenue,
Inglewood, California 90301 U.S.A.
Tel: 310-645-0023 FAX: 310-641-1586
www.doorking.com

© 2020 All Rights Reserved.
Product specifications may
change without notice. Rev. 12/20



MEMBER:



DISTRIBUTED BY:

