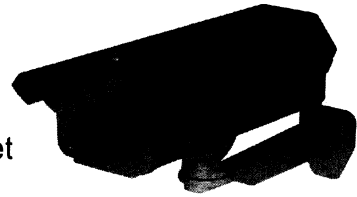




STI-7100K CCTV Camera Housing

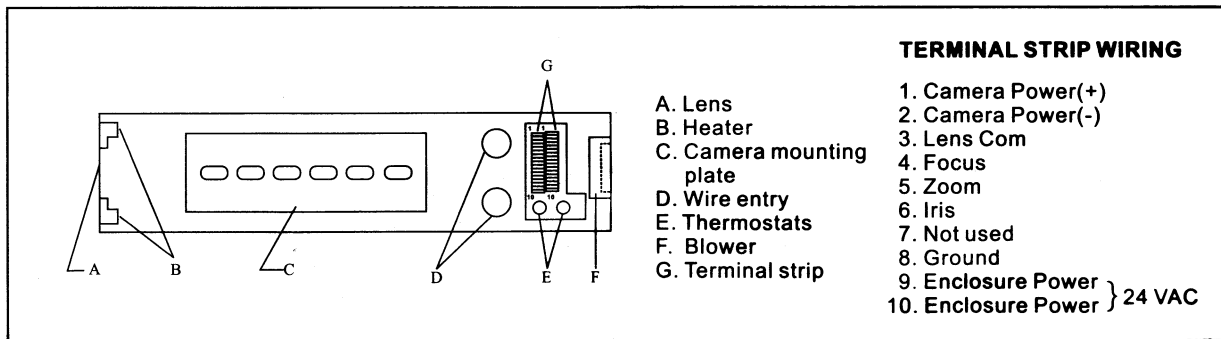
With Heater, Blower, Sun Shield & Mounting Bracket
STI-7100 (above without Mounting Bracket)



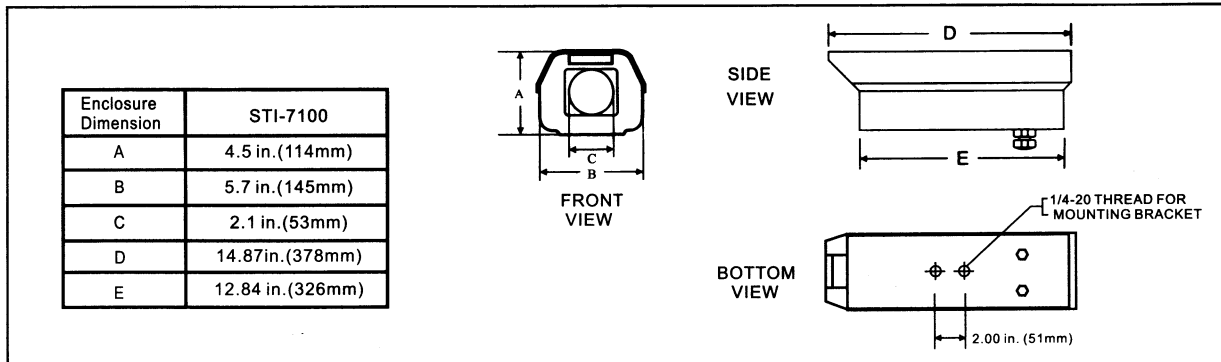
FEATURES:

- Medium indoor / outdoor enclosures
- Spring assisted forward opening lid
- Optional field installed heaters, blower and sun shield
- Temperature reduced by 4°F (2°C) with sun shield
- 2 cable entry cord grips on bottom of enclosure with minimum diameter of .24" (6mm) and maximum diameter of .41" (10mm)
- Aluminum construction

INTERNAL LAYOUT



DIMENSION DRAWING



SPECIFICATIONS

Model	STI-7100
Input Voltage	24 VAC
Power	Heater: 20W Blower: 2.3W
Construction	Aluminum
Viewing Window	2.13"(53mm)
Max. Size Camera & Lens	8.5" x 3.54" x 2.85"(215.9 x 89.91 x 72.39mm)
Heater & Blower Activates	ON: 50°F ± 9°F (10°C ± 5°C) OFF: 68°F (20°C)
Blower Activates	ON: 95°F ± 9°F (35°C ± 5°C) OFF: 72°F (22°C)
Weight - Camera Housing	3.60 lbs (1.64 kg)
Weight - Mounting Brkt	1.92 lbs (0.87 kg)
Gross Weight (STI-7100)	4.72 lbs (2.14 kg)
Gross Weight (STI-7100K)	6.9 lbs (3.1 kg)

THIS PACKAGE INCLUDES:

- 1 Housing with heater, blower and sun shield
 - 2 Cord grip
 - 2 Screws (1/4-20 x 5/8") for housing to bracket
 - 1 Screw (1/4-20 x 3/8") for camera
 - 1 Mounting Bracket (STI-7100K only)
 - 3 Screws for bracket to wall bracket
 - 3 Plastic anchors
- With Wall Mount Bracket Only