

MODEL 1514 YAGI HIGH-GAIN DIRECTIONAL ANTENNA

DoorKing Part Number
1514-072
300-330 MHz Range

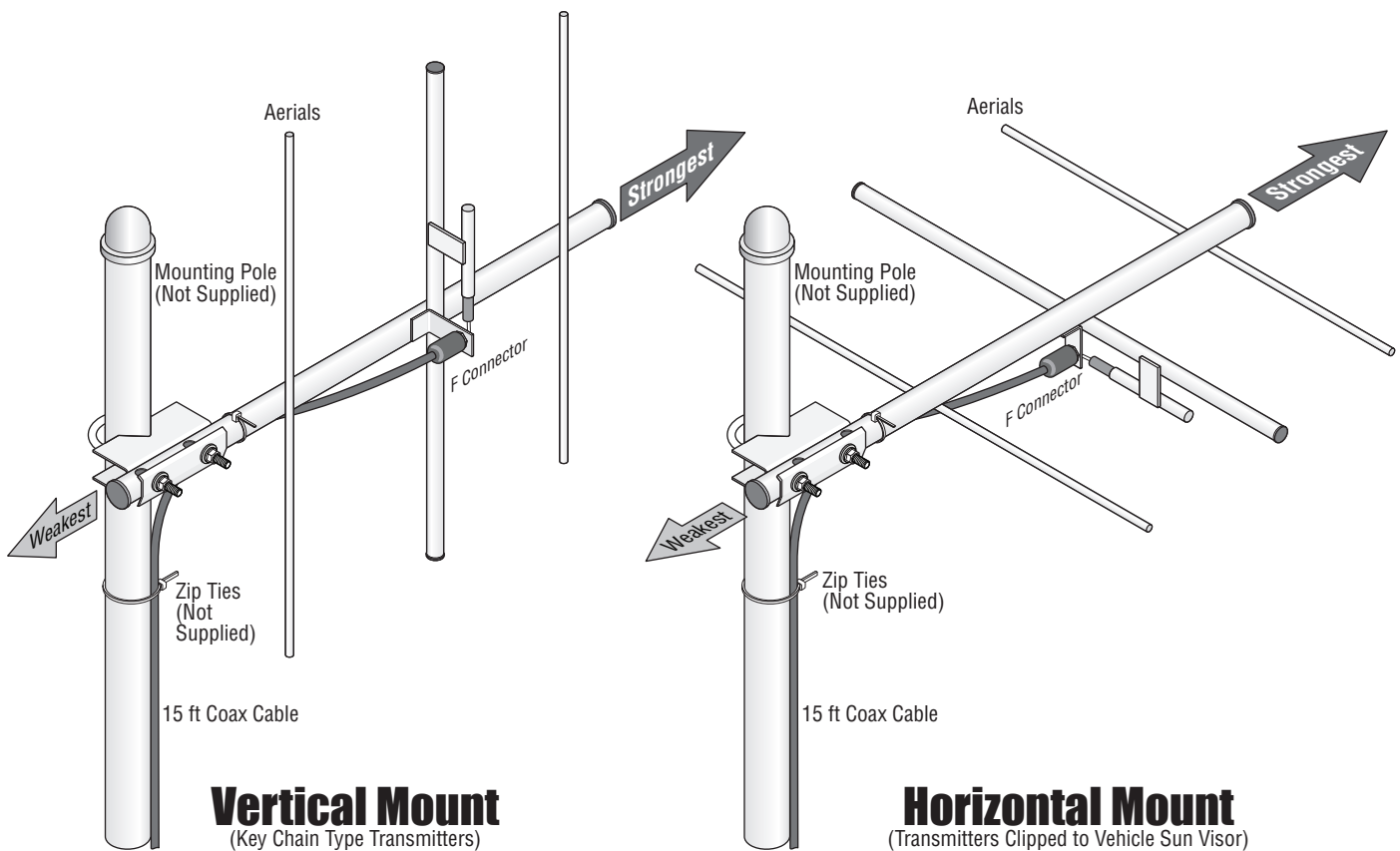
DoorKing's Yagi antenna is designed to increase the range of hand held RF transmitters for automated vehicular gate applications. This antenna can be used with any manufacture of radio controls using "F" type antenna connections operating in the 300-330 MHz frequency range.

Compared to the standard whip antenna, the DoorKing Yagi antenna is **DIRECTIONAL**. The front of the antenna's range will typically be (3) **three times the range of the whip antenna**. The back of the antenna's range will be slightly less than the whip antenna. This antenna is best suited for one-way traffic applications because of its directional nature.

Installation

Caution: Keep the antenna and mounting pole away from overhead electrical wires. Electrocuting can result!

1. Mount the antenna as high as possible (at least 8 feet) and away from any metal that can block the RF signal (Mounting pole not supplied).
Note: Direct line-of-sight between the user's transmitter and the Yagi antenna will produce the strongest signal.
2. Point the antenna in the direction where the user's transmitter will be operated. This will result in the strongest reception (greatest range).
3. Generally, the best reception is obtained if the aerials of the antenna are in the **same plane** as the antenna in the user's transmitter.
 - Mount the antenna with its elements **HORIZONTAL** if the transmitters will typically be clipped to a vehicles sun visor.
 - Mount the antenna with its elements **VERTICAL** if key chain type transmitters are used.
4. Connect one end (F connector) of the supplied 15 ft. coax cable to the antenna.
5. Slide the connector cover over this connector to protect it from the weather.
6. Connect the other end of the coax cable to the receiver being used.



Note: DoorKing receivers operate at 318 MHz. If greater range is desired, use DoorKing's "Amptenna™" antenna amplifier (P/N 8052-080).