

Clothes Dryer Venting

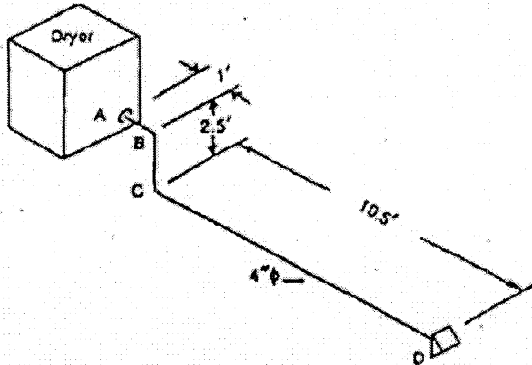
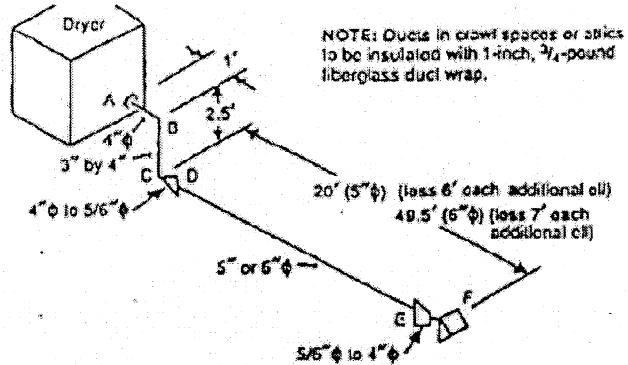


Figure #1 -
 Dryer vent as specified in CMC 504.3.2.2



NOTE: Ducts in crawl spaces or attics to be insulated with 1-inch, 2 1/4-pound fiberglass duct wrap.

Figure #2 -
 Engineered dryer vent equivalent to CMC 504.3.2.2

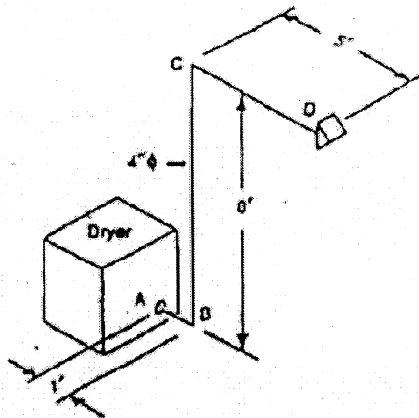
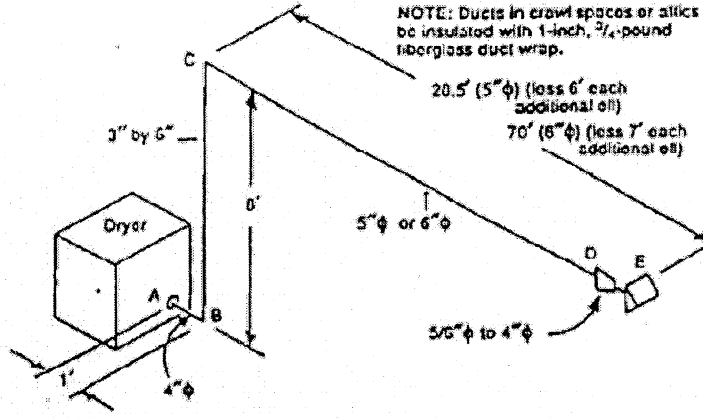


Figure #3 -
 Dryer vent as specified in CMC 504.3.2.2



NOTE: Ducts in crawl spaces or attics to be insulated with 1-inch, 2 1/4-pound fiberglass duct wrap.

Figure #4 -
 Engineered dryer vent equivalent to CMC 504.3.2.2

Note: Details are not to scale.

1. Domestic Clothes dryer moisture exhaust ducts shall be of metal and have smooth interior surfaces.
2. Listed clothes dryer transition ducts not more than (6) feet (1,829 mm) in length may be used in connection with domestic dryer exhausts. Flexible clothes dryer transition ducts shall not be concealed within structure.
3. Unless otherwise permitted or required by the dryer manufacturer's installation instructions and approved by the Authority Having Jurisdiction, domestic dryer moisture exhaust ducts shall not exceed a total combined horizontal and vertical length of fourteen (14) feet (4,263 mm), including two (2) 90 degree (1.57 rad) elbows. Two (2) feet (610 mm) shall be deducted for each 90 degree (1.57 rad) elbow in excess of two.